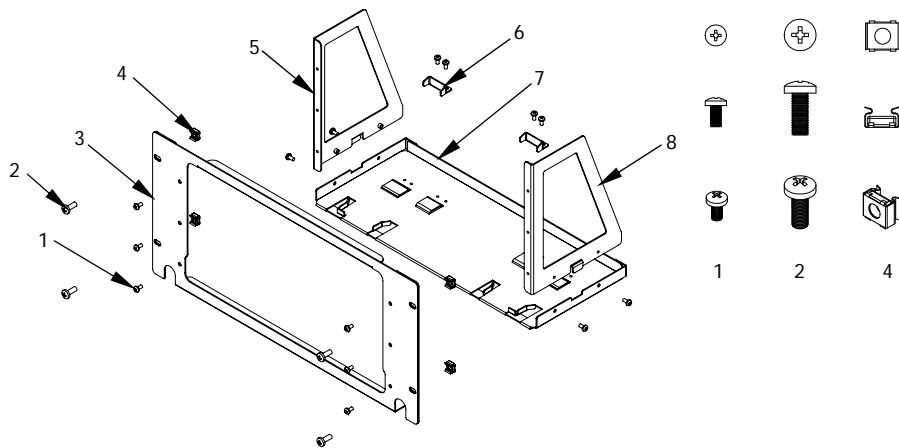


RIGOL**MSO5000 Rack Mount Kit**

This rack mount kit is designed to mount **RIGOL** MSO5000 Series Digital Oscilloscope into a standard 19-inch cabinet that conforms to the Electronic Industries Association (EIA) standard.

Kit Part Checklist

No.	Name	Qty.	Description
1	M4 Screw	14	M4 × 8 Phillips Pan Head Screw
2	M6 Screw	4	M6 × 16 Phillips Pan Head Screw
3	Front Plate	1	---
4	M6 Nut	4	M6 Square Lock Cage Nut
5	Right Plate	1	---
6	Retaining Bracket	2	---
7	Bottom Plate	1	---
8	Left Plate	1	---

**Installation Tool**

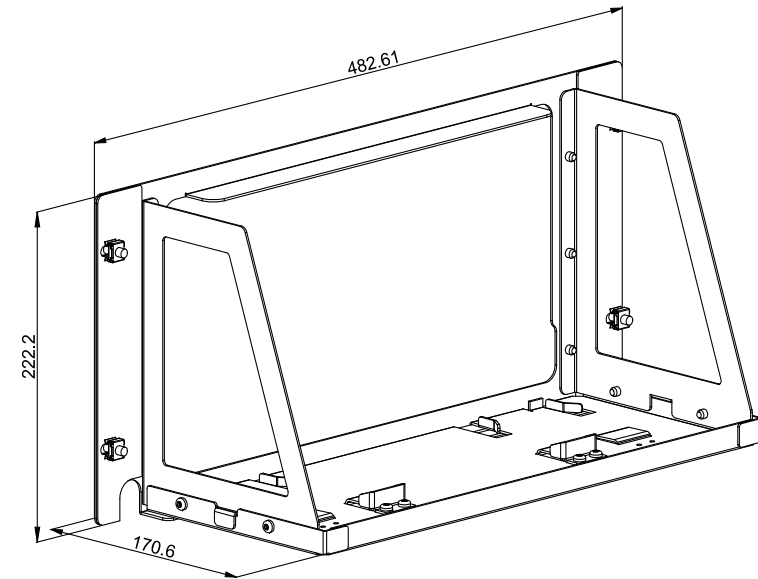
The PH2 Phillips screwdriver is recommended.

Space Requirements

To mount the instrument into the cabinet correctly, please ensure that the following requirements are met.

- The cabinet must be a standard 19-inch one.
- The available height of the cabinet should be at least 5U (222.25 mm).
- The depth of the cabinet should be at least 200 mm.

The dimensions of the rack-mounted instrument are as shown below.



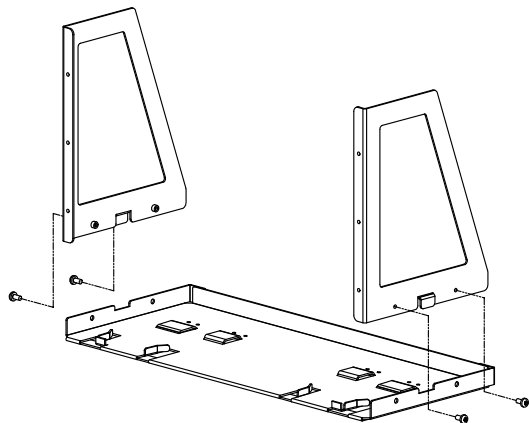
Unit: mm

Installation Procedures**CAUTION**

Only authorized operators are allowed to perform the installation. Improper installation might cause damage to the instrument or an installation failure.

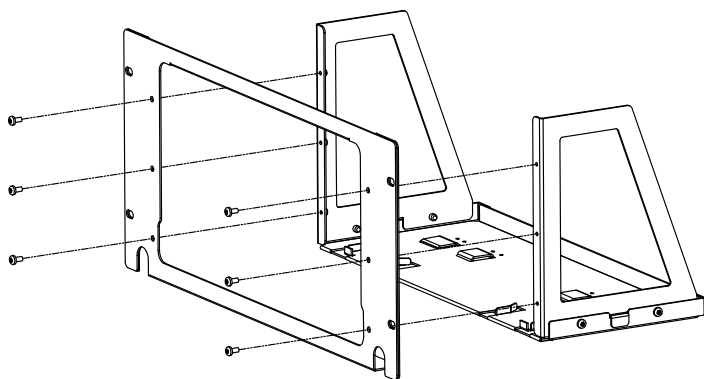
1. Mount the left and right plates

Align the detents of the left and right plates with the openings on both sides of the bottom plate respectively and insert them into the bottom plate, then fasten them using four M4 screws.



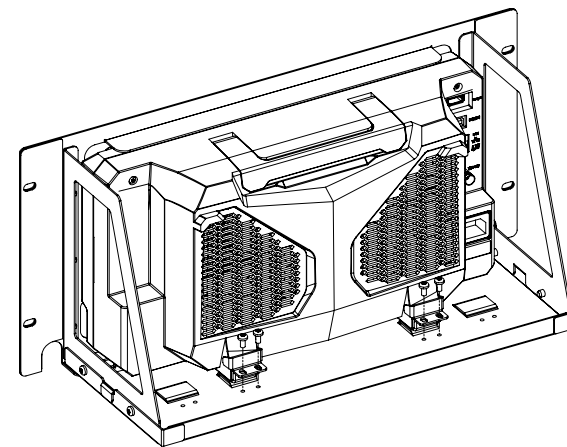
2. Mount the top plate

Attach the front plate to the assembled shelf, then secure the front plate with six M4 screws.



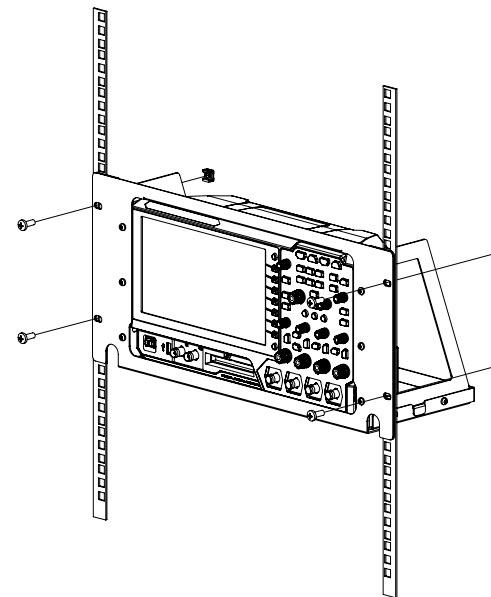
3. Place and fasten the instrument

Place the instrument onto the bottom plate and secure the rear feet of the instrument with two retaining brackets, then use four M4 screws to fasten brackets.



4. Get encased in the cabinet

Mount the assembled instrument and rack into a standard 19-inch cabinet using four M6 screws and four M6 nuts.



-End-